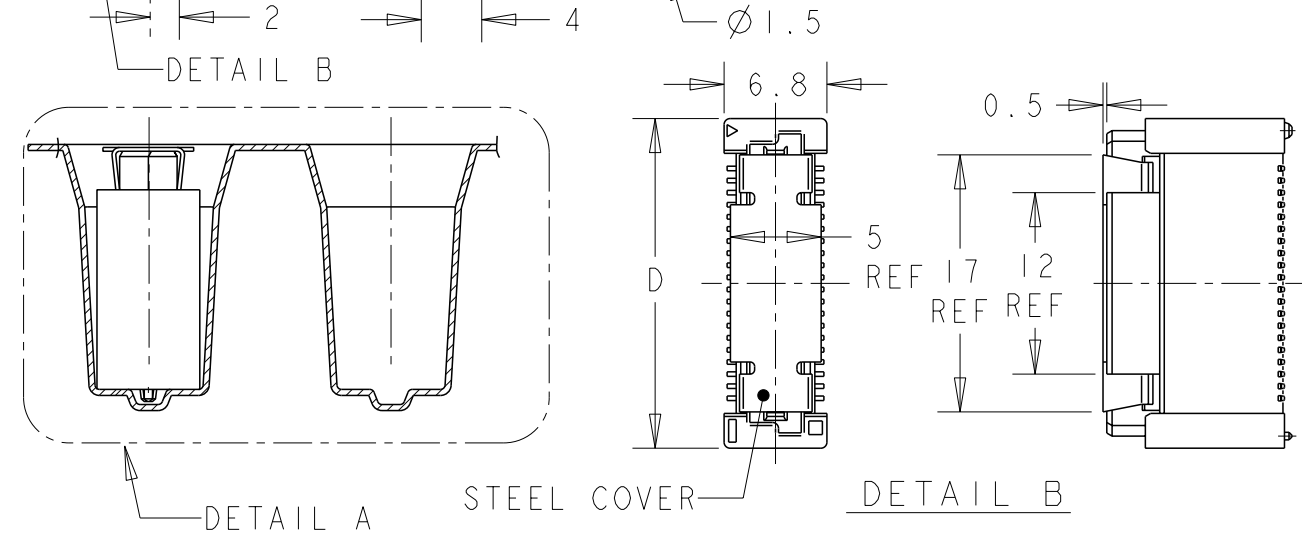
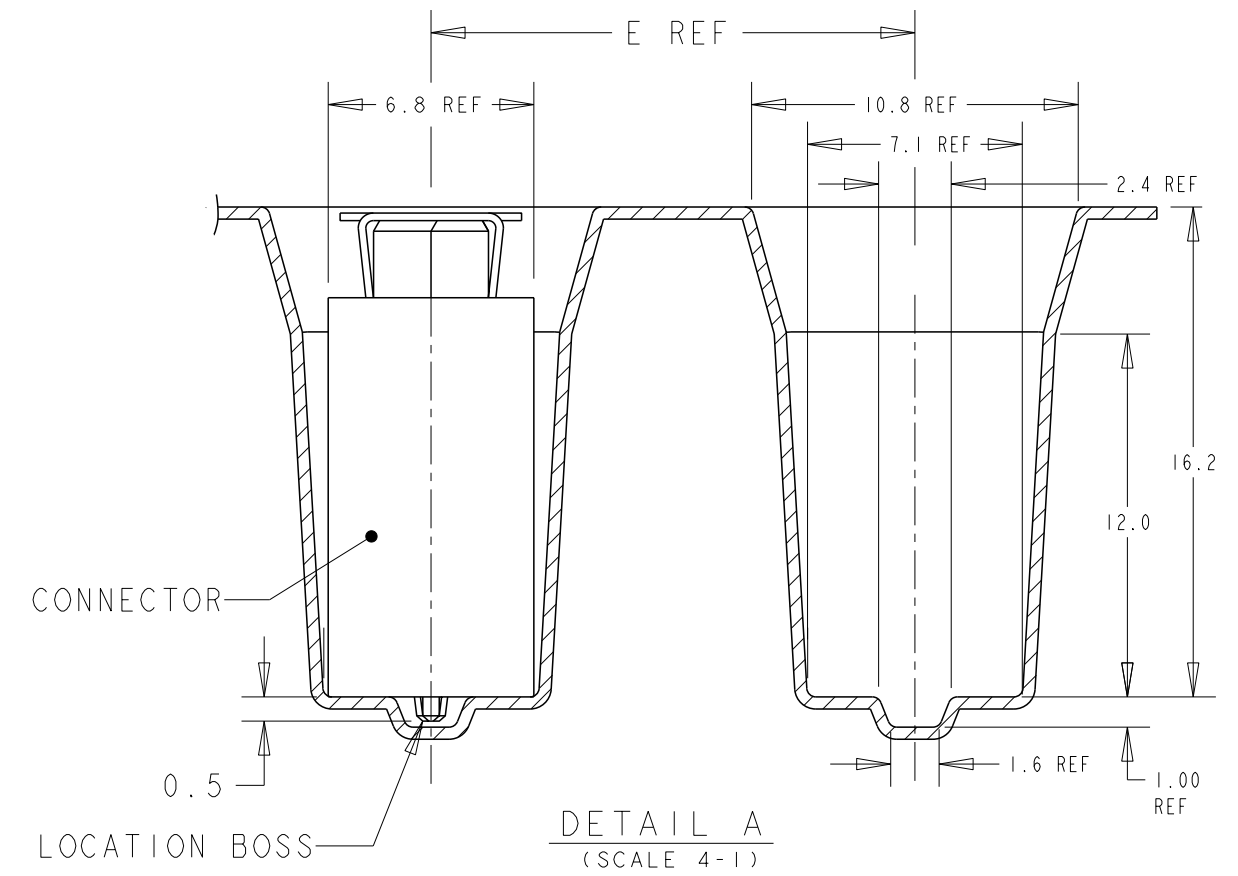
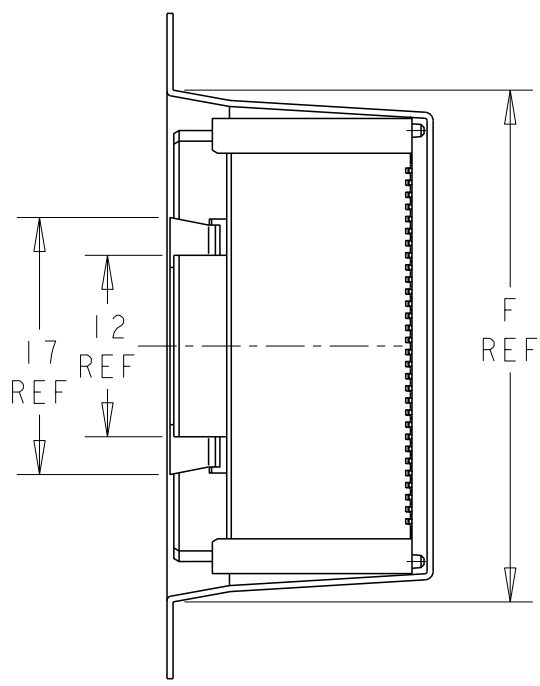
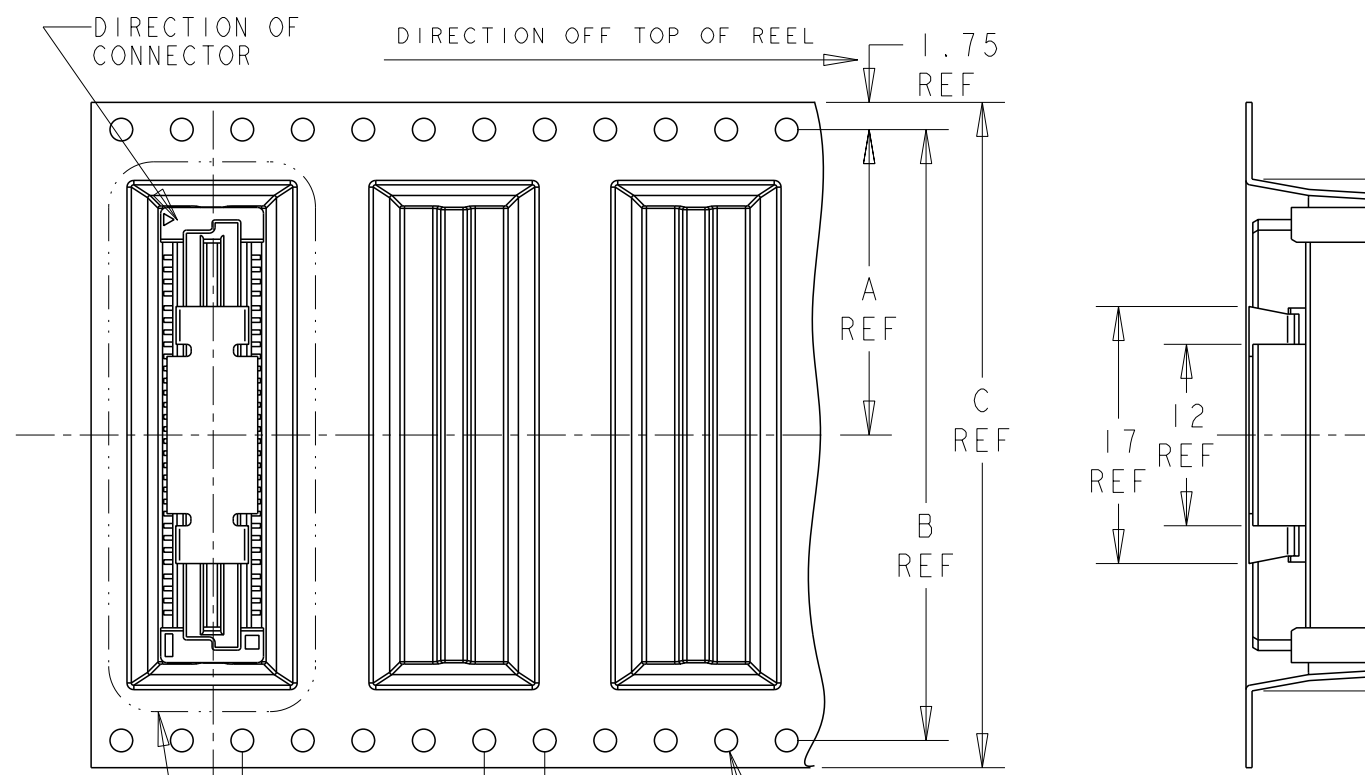


THIS DRAWING IS UNPUBLISHED. RELEASED FOR PUBLICATION 20
 © COPYRIGHT 20 BY - ALL RIGHTS RESERVED.

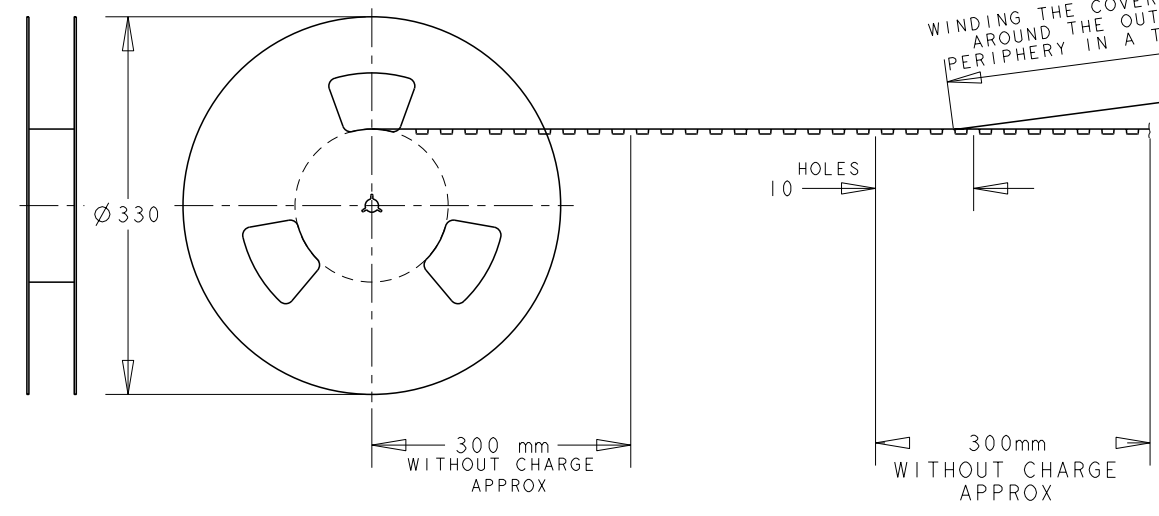
LOC		DIST		REVISIONS			
P	LTR	DESCRIPTION	DATE	DWN	APVD		
	A2	REVISED PER ECR-14-010370	10JUL2014	I.T	W.H		



NOTES:

- MATERIALS:
 HOUSING: L.C.P (HIGH TEMP THERMO PLASTIC) UL 94V-0, NATURAL.
 CONTACT: COPPER ALLOY.
- FINISH:
 ENGAGEMENT AREA: 0.0002 MIN GOLD
 SOLDERING AREA: 0.002 MIN MATTE TIN
 UNDERCOAT: 0.0013 MIN NICKEL ALL OVER
- FINISH:
 ENGAGEMENT AREA: 0.00076 MIN GOLD
 SOLDERING AREA: 0.002 MIN MATTE TIN
 UNDERCOAT: 0.0013 MIN NICKEL ALL OVER
- POSITION SERIES:
 SEE P/N TABLE ON SHEET 3.
- CONNECTOR MATED STACKED HEIGHT IS COMBINATION OF PLUG HEIGHT "Y" AND REC HEIGHT "X", LESS 5 mm.
 STACKED HEIGHT = Y + X - 5
- THIS DRAWING 1735481 DESCRIBES CONNECTORS P/N X-1735480-X WITH STEEL COVER IN EMBOSS TAPE PACKAGING.
 CONNECTOR DIMENSIONS (ON SHEET 2) AND RECOMMENDED P.C. BOARD LAYOUT (ON SHEET 3) ARE REFERENCED FROM DRAWING 1735480.

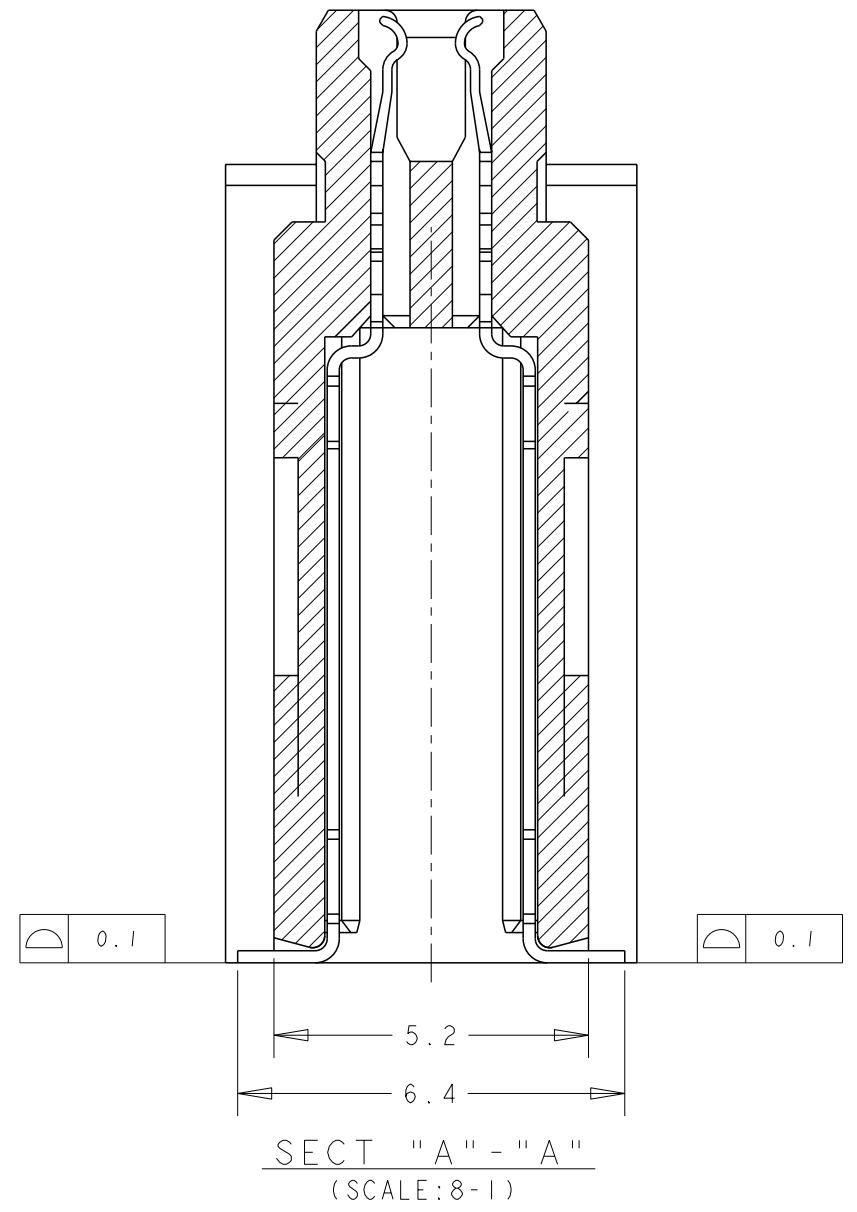
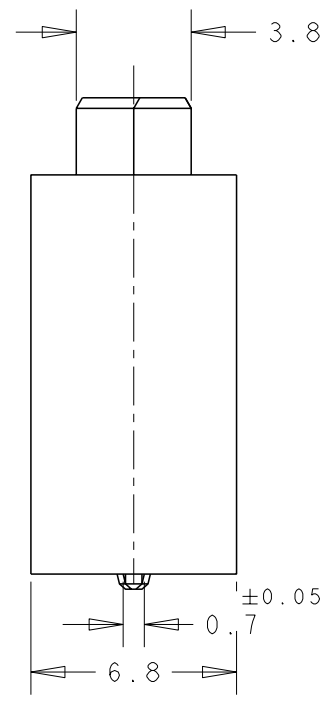
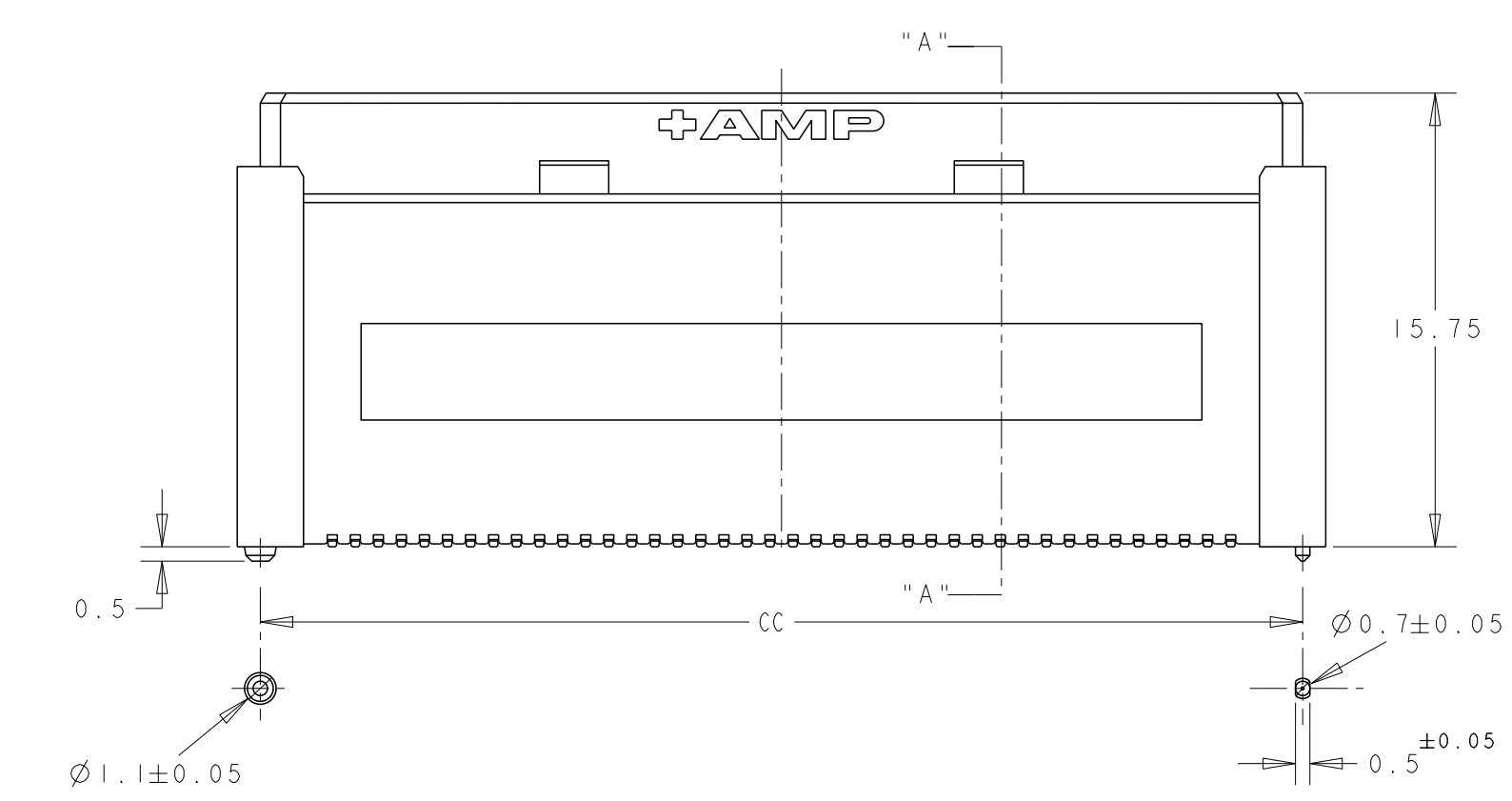
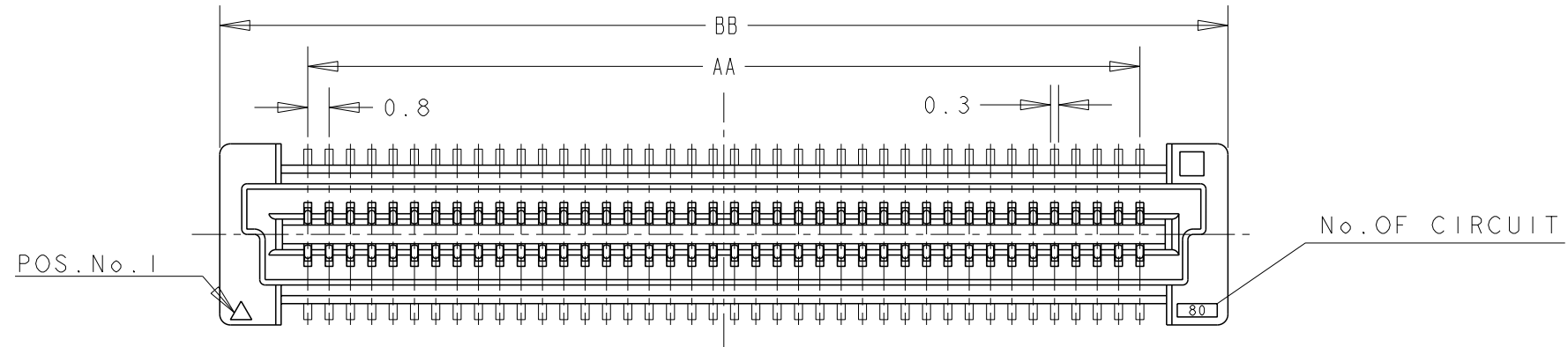
WINDING THE COVER TAPE AROUND THE OUTER PERIPHERY IN A TURN.




THIS DRAWING IS A CONTROLLED DOCUMENT.		DWN	10JUL2007	 TE Connectivity	NAME RECEPTACLE 17mm HEIGHT FH 0.8mm B-T-B CONNECTOR WITH STEEL COVER, ON EMBOSS TAPE
DIMENSIONS: mm		CHK	20MAR2013		
TOLERANCES UNLESS OTHERWISE SPECIFIED:		APVD	20MAR2013		
0 PLC ±- 1 PLC ±0.30 2 PLC ±0.25 3 PLC ±0.20 4 PLC ±- ANGLES ±3°		PRODUCT SPEC	108-5390		
MATERIAL		APPLICATION SPEC	114-5254	SIZE	A3
FINISH		WEIGHT	-	CAGE CODE	00779
SEE P/N TABLE		CUSTOMER DRAWING		DRAWING NO	C-1735482
		SCALE	2:1	SHEET	1 OF 3
		REV	A2	RESTRICTED TO	-

THIS DRAWING IS UNPUBLISHED. RELEASED FOR PUBLICATION 20
 © COPYRIGHT 20 BY - ALL RIGHTS RESERVED.

LOC	DIST	REVISIONS				
P	LTR	DESCRIPTION	DATE	DWN	APVD	
DY	-	SEE SHEET 1	-	-	-	

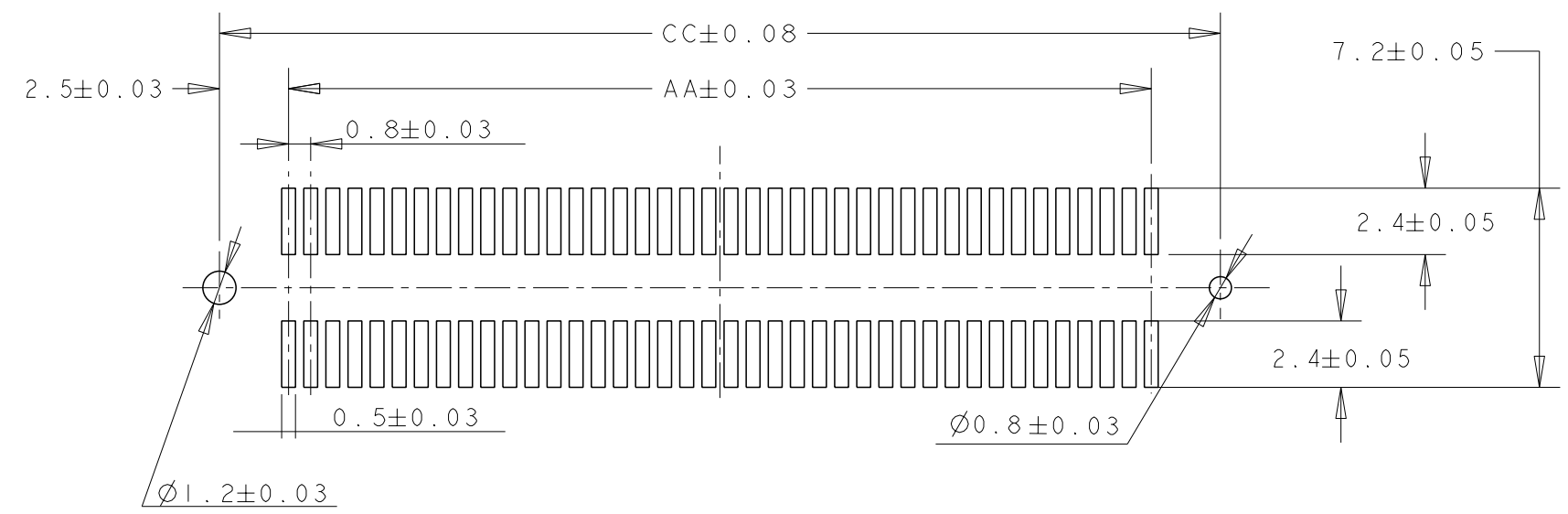


CONNECTOR DIMENSIONS REFERENCED FROM DRAWING NO. 1735480.

THIS DRAWING IS A CONTROLLED DOCUMENT.		DWN WYLEE 10JUL2007	 TE Connectivity		
DIMENSIONS: mm		CHK YJ SEE 20MAR2013			
TOLERANCES UNLESS OTHERWISE SPECIFIED:		APVD SF LEONG 20MAR2013	NAME		
0 PLC ±- 1 PLC ±0.30 2 PLC ±0.25 3 PLC ±0.20 4 PLC ±- ANGLES ±3°		PRODUCT SPEC 108-5390	RECEPTACLE 17mm HEIGHT FH 0.8mm B-T-B CONNECTOR WITH STEEL COVER, ON EMBOSS TAPE		
MATERIAL		APPLICATION SPEC 114-5254	SIZE A3	CAGE CODE 00779	DRAWING NO. C-1735482
FINISH SEE P/N TABLE		WEIGHT -	RESTRICTED TO -		
		CUSTOMER DRAWING	SCALE 2:1	SHEET 2 OF 3	REV A2

THIS DRAWING IS UNPUBLISHED. RELEASED FOR PUBLICATION 20
 © COPYRIGHT 20 BY - ALL RIGHTS RESERVED.

LOC	DIST	REVISIONS				
P	LTR	DESCRIPTION	DATE	DWN	APVD	
DY	-	SEE SHEET 1	-	-	-	



RECOMMENDED P.C. BOARD LAYOUT
 (REFERENCED FROM DRAWING NO. 1735480.)

CONTACT FINISH	QTY	CC	BB	AA	F	E	D	C	B	A	CONNECTOR P/N REF. ONLY	POS	SALEABLE PART NO.
30 u" Au - Sn 3	100	84.20	SAME AS DIM D	79.20	94.0	20	85.8	120	116.4	58.2	8-1735480-0	200	3-1735482-0
	100	76.20		71.20	86.0	20	77.8	104	100.4	50.2	7-1735480-9	180	2-1735482-9
	100	68.20		63.20	73.8	20	69.8	88	84.4	42.2	7-1735480-8	160	2-1735482-8
	100	64.20		59.20	69.8	20	65.8	88	84.4	42.2	7-1735480-7	150	2-1735482-7
	100	60.20		55.20	65.8	20	61.8	88	84.4	42.2	7-1735480-6	140	2-1735482-6
	100	52.20		47.20	57.8	20	53.8	72	68.4	34.2	7-1735480-5	120	2-1735482-5
	100	44.20		39.20	49.8	20	45.8	72	68.4	34.2	7-1735480-4	100	2-1735482-4
	100	36.20		31.20	41.8	20	37.8	56	52.4	26.2	7-1735480-3	80	2-1735482-3
	100	28.20		23.20	33.8	20	29.8	44	40.4	20.2	7-1735480-2	60	2-1735482-2
	100	20.20		15.20	25.8	20	21.8	44	40.4	20.2	7-1735480-1	40	2-1735482-1
08 u" Au - Sn 2	100	84.20	SAME AS DIM D	79.20	94.0	20	85.8	120	116.4	58.2	6-1735480-0	200	1-1735482-0
	100	76.20		71.20	86.0	20	77.8	104	100.4	50.2	5-1735480-9	180	1735482-9
	100	68.20		63.20	73.8	20	69.8	88	84.4	42.2	5-1735480-8	160	1735482-8
	100	64.20		59.20	69.8	20	65.8	88	84.4	42.2	5-1735480-7	150	1735482-7
	100	60.20		55.20	65.8	20	61.8	88	84.4	42.2	5-1735480-6	140	1735482-6
	100	52.20		47.20	57.8	20	53.8	72	68.4	34.2	5-1735480-5	120	1735482-5
	100	44.20		39.20	49.8	20	45.8	72	68.4	34.2	5-1735480-4	100	1735482-4
	100	36.20		31.20	41.8	20	37.8	56	52.4	26.2	5-1735480-3	80	1735482-3
	100	28.20		23.20	33.8	20	29.8	44	40.4	20.2	5-1735480-2	60	1735482-2
	100	20.20		15.20	25.8	20	21.8	44	40.4	20.2	5-1735480-1	40	1735482-1

THIS DRAWING IS A CONTROLLED DOCUMENT.

DWN: WYLEE 10JUL2007
 CHK: YJ SEE 20MAR2013
 APVD: SF LEONG 20MAR2013

DIMENSIONS: mm
 TOLERANCES UNLESS OTHERWISE SPECIFIED:
 0 PLC ±-
 1 PLC ±0.30
 2 PLC ±0.25
 3 PLC ±0.20
 4 PLC ±-
 ANGLES ±3°

MATERIAL: SEE P/N TABLE

PRODUCT SPEC: 108-5390
 APPLICATION SPEC: 114-5254
 WEIGHT: -

CUSTOMER DRAWING

TE Connectivity

NAME: RECEPTACLE 17mm HEIGHT
 FH 0.8mm B-T-B CONNECTOR
 WITH STEEL COVER, ON EMBOSS TAPE

SIZE: A3 CAGE CODE: 00779 DRAWING NO: 1735482 RESTRICTED TO: -

SCALE: 2:1 SHEET: 3 OF 3 REV: A2