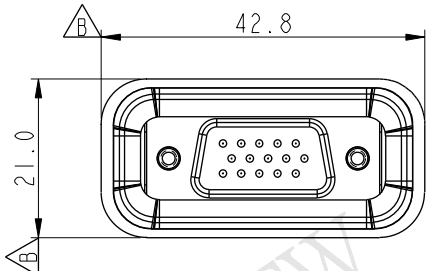
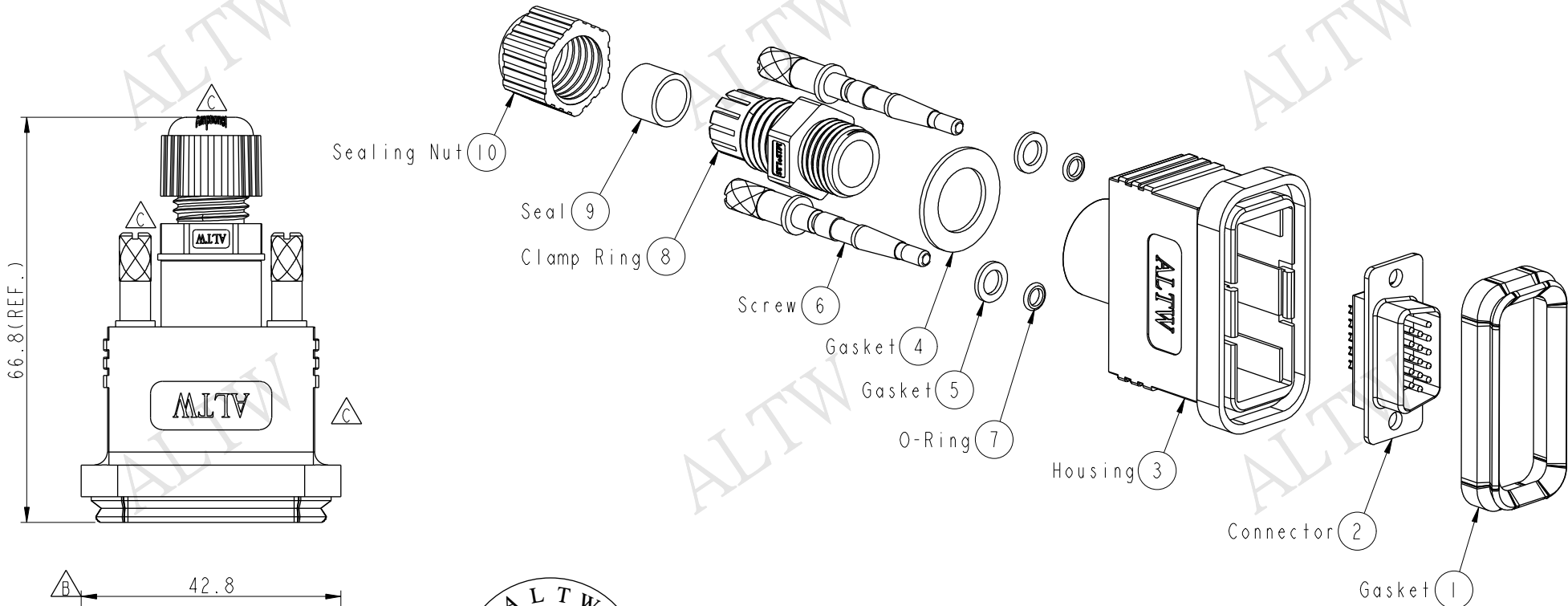


REV.	ECN NO.	DATE	SIGN	DESCRIPTION
B	LEN-050027	2010/04/10	Li Xiu Zhi	Change Dimension
C	LEN1510148	2015/01/07	Vicky	Update Logo



ALTW  
CONFIDENTIAL  
2015-01-07  
R&D DEPT.

ALTW  
DCC. DEPT.  
CONFIDENTIAL  
2015.01.15  
ISSUED

- Note:
- \* Waterproof Rate: IP67
  - \* Connector: HD-SUB 15Pin Male
  - \* Pin: Copper Alloy, Gold Plated
  - \* Housing: ABS, Black
  - \* Seal For Cable OD:  $\varnothing 3.5\text{mm} \sim \varnothing 7.0\text{mm}$
  - \* One Set Unassembled in One PE Bag

UNIT:mm  
TOLERANCE  
 $\pm 0.5 \text{ mm}$

TITLE  
HD-SUB Conn. Assy Screw  
HD15Pin M Conn. M Pin

SCALE 1:1 SIZE A4 SHEET 1 OF 1

REV. C WC-REV. A.2

☉: Inspection item

**Amphenol LTW**  
安費諾亮泰企業股份有限公司

ITEM NO HDB-15BMMA-SL7001	DRAWN BY Vicky	DATE 2015-01-07
DWG NO HDB-15BMMA-SL7001	CHECKED BY Sam	DATE 2015-01-07
CUSTOMER ALTW	APPROVED BY Rita	DATE 2015-01-07

THIS DOCUMENT IS SUBJECT TO CHANGE WITHOUT NOTICE. IT IS CONFIDENTIAL AND A PROPERTY OF Amphenol LTW. DISCLOSURE TO THIRD PARTY HAS TO BE AUTHORIZED BY Amphenol LTW.